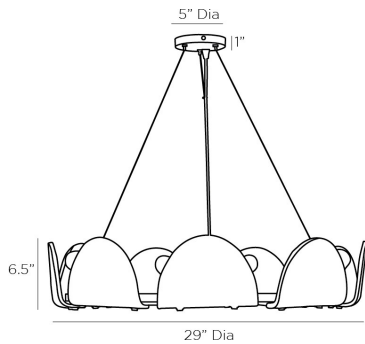


ARTERIO RS

MENDEZ CHANDELIER



84065

H: 16.5 IN, Dia: 29.00 IN

Antique Brass, Smoke Luster Glass

Contract Suitable As Is

A masterpiece in understated beauty, the Mendez balances high-style design and organic composition. Nine panels of scalloped-shaped slump glass are bent over an antique brass iron frame, each an individual shield for a bulb. The glass panels feature a smoke luster finish and a hammered texture that work in unison to diffuse and disperse light and elevate the unrefined elements of the overall aesthetic. Finish will vary.

APPEARANCE

| | |
|------------------|-----------------------------|
| Material | Iron, Slump Glass |
| Material Type | Hammered |
| Finish | Antique Brass, Smoke Luster |
| Finish Will Vary | true |
| Top Coat/Sealant | false |

DIMENSIONS

| | |
|------------------------|--------------------------|
| Chandelier | H: 6.5 IN, Dia: 29.00 IN |
| Minimum Hanging Height | 16.5 IN |
| Maximum Hanging Height | 121.5 IN |
| Canopy | H: 1 IN, Dia: 5.00 IN |

WIRING

| | |
|-------------------|-----------------------|
| Rating | Damp |
| Cord | 10 FT, Black, SVT |
| Socket | 9, Type B - E12 |
| Photographed Bulb | 2" Frosted Globe Bulb |
| Maximum Watt | 25 |
| Voltage | 110-120 V |

COMPLIANCY

| | |
|------|------|
| RoHS | true |
|------|------|

SHIPPING

| | |
|-----------------------|----------------------------------|
| Shipping Requirements | TruckShip |
| Product Weight | 24 LBS |
| Gross Weight 1 | 50.27 LBS |
| Shipping Box 1 | H: 10 IN, L: 35.5 IN, W: 35.5 IN |

ADDITIONAL INFO

| | |
|----------|-------------------|
| Features | Assembly Required |
|----------|-------------------|

REPLACEMENT PARTS

| | |
|------------------------|------------|
| Replacement Part 1 | CANOPY-573 |
| Replacement Part 1 Dim | 1" x 5" |
| Replacement Part 2 | 84065GLS |

CONTRACT

| | |
|-------------------|------|
| Contract Suitable | true |
|-------------------|------|